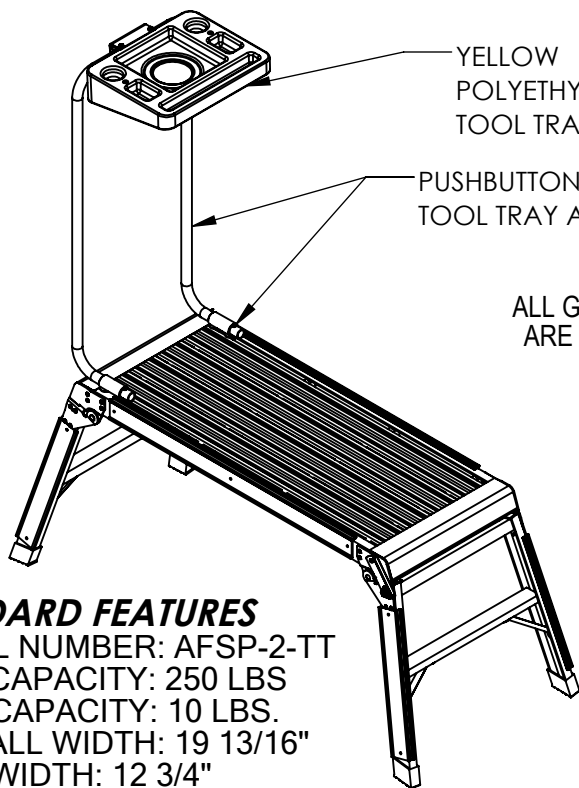
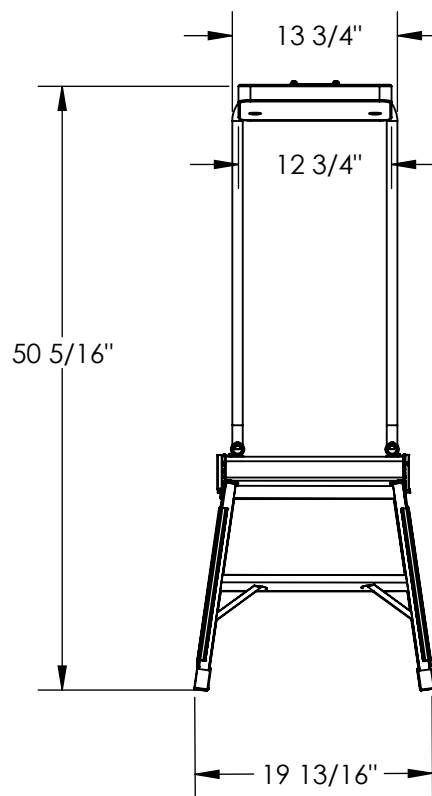
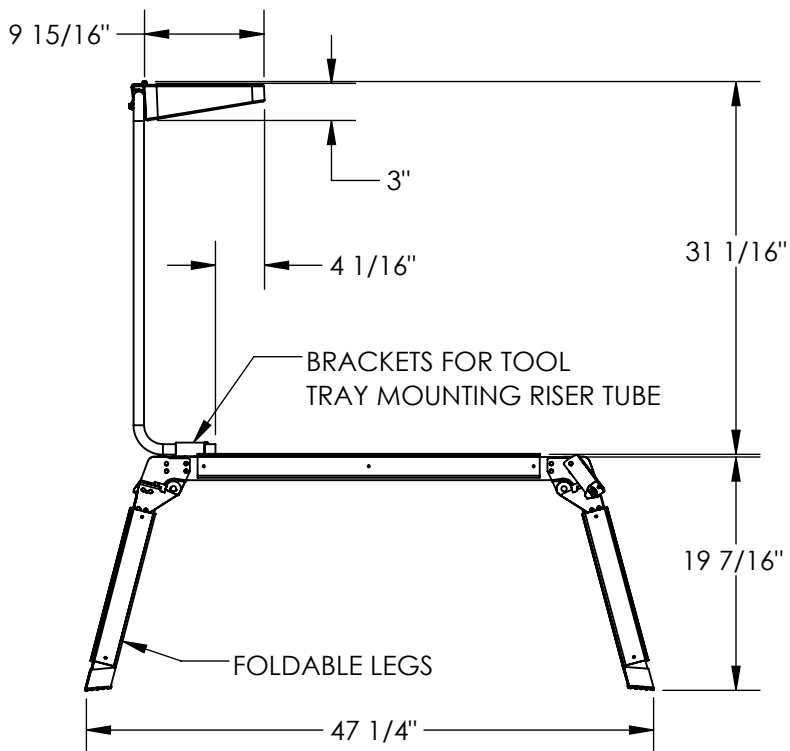


ALUMINUM FOLDING STEP PLATFORMS W/ TOOL TRAY - AFSP-2-TT

APPROX WEIGHT: 23.80 lbs.
DOES NOT INCLUDE WEIGHT OF POWER OR PACKAGING!!!

ANY ADDITIONS, DELETIONS, OR OMISSIONS MUST BE CORRECTED ON THIS DRAWING AS THIS DRAWING WILL BE CONSIDERED ALL INCLUSIVE



YELLOW POLYETHYLENE TOOL TRAY
PUSHBUTTON RELEASE ALLOWS EASY REMOVAL OF TOOL TRAY AND MOUNTING RISER

DIMENSION TOLERANCE ± 1/4"

ALL GRAPHICS PROVIDED ARE FOR REFERENCE ONLY. IF CERTAIN DIMENSIONS ARE CRITICAL PLEASE VERIFY THOSE DIMENSIONS WITH YOUR SALESPERSON

FOR INTERNAL USE ONLY PROJECT SIGN OFF	
SALES	
ENG.	
FAB.	
POWER	

STANDARD FEATURES

- MODEL NUMBER: AFSP-2-TT
- STEP CAPACITY: 250 LBS
- TRAY CAPACITY: 10 LBS.
- OVERALL WIDTH: 19 13/16"
- TRAY WIDTH: 12 3/4"
- OVERALL LENGTH: 47 1/4"
- TRAY LENGTH: 9 15/16"
- OVERALL HEIGHT: 50 5/16"
- STEP HEIGHT: 19 7/16"
- FOLDING STEP PLATFORM IS ALUMINUM
- HANDLE IS STEEL WITH TOUGH BAKED IN POWDER COATED BLACK FINISH
- TOOL TRAY IS DURABLE YELLOW MOLDED POLYETHYLENE

SPECIAL FEATURES

NONE

APPROVAL

I, THE UNDERSIGNED, AGREE THAT THE PRODUCT AS REPRESENTED SATISFIES DESIGN AND DIMENSION REQUIREMENTS. I ALSO ACKNOWLEDGE MY DUTY TO CONFIRM PRODUCT AND INSTALLATION COMPLIANCE WITH ALL APPLICABLE FEDERAL, STATE AND LOCAL REGULATIONS AND STANDARDS.

ANY MODIFIED UNITS ARE NON-RETURNABLE

[] As drawn [] As marked

Signed: _____ Date: _____

Printed Name: _____

LEAD TIME WILL START UPON RECEIPT OF SIGNED APPROVAL DRAWING

DISTRIBUTOR'S NAME:		P.O.#
VESTIL MANUFACTURING		X
DRAWN BY: TAL		W.O.#
DATE: 05/27/15		X
REFERENCE: X	SCALE: 1:16	SALES: X
QUOTED LEAD TIME: X	QUOTE #	FILE NAME:
	X	14-007-089